



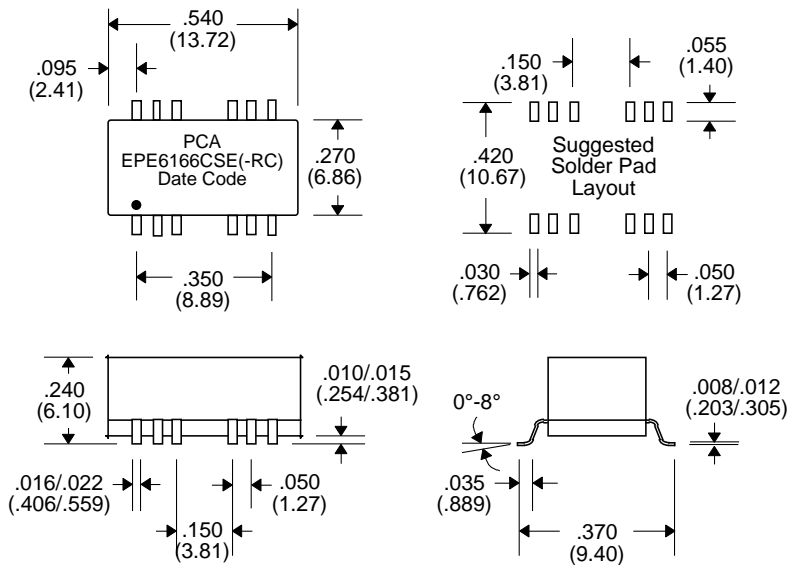
- Robust construction allows for toughest reflow processing
- Complies with or exceeds IEEE 802.3, 10Base-T Standards
- Manufactured in compliance with UL1950/UL1459
- 1500 Vrms Isolation

Electrical Parameters @ 25° C

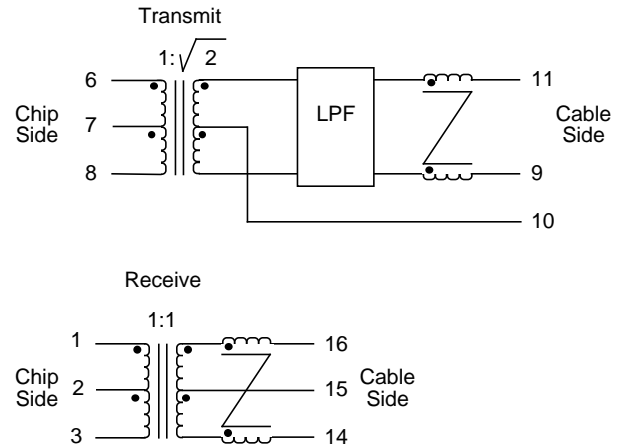
OCL (μ H Min.)	Insertion Loss (dB Max.)	Return Loss (dB Min.)	Attenuation (dB Min.)				Common Mode Rejection (dB Min.)		Crosstalk (dB Min.)
			@ 20 MHz	@ 25 MHz	@ 30 MHz	@ 40 MHz	10-30 MHz	30-100 MHz	
@ 100 KHz, 20 mVrms	1-10 MHz	5-10 MHz	@ 20 MHz	@ 25 MHz	@ 30 MHz	@ 40 MHz	10-30 MHz	30-100 MHz	1-10 MHz
Cable Side	Xmit	Xmit	Xmit	Xmit	Xmit	Xmit	Xmit/Rcv	Xmit/Rcv	Between Channels
160	-1	-15	-5	-14	-24	-30	-40	-30	-30

• Cut-off Frequency : 17 MHz \pm 1, Ref. @ 5 MHz • Cable Side Impedance : 100 •

Package



Schematic



Notes :	EPE6166CSE	EPE6166CSE-RC
1. Assembly Process (Solder Composition)	SnPb	Pb-Free + (RoHS exemption 7a)
2. Peak Solder Rating (per IPC/JEDEC J-STD-020C)	225°C	260°C
3. Moisture Sensitive Levels (MSL) (per IPC/JEDEC J-STD-020C)	MSL = 3 (168 Hours, 30°C/60%RH)	MSL = 4 (72 Hours, 30°C/60%RH)
4. Weight	1.13 grams	1.13 grams
5. Packaging Information (*Add "TR" to end of part number when placing order)	(Tube)	34 pieces/tube
	(Tape & Reel)	500 pieces/13" reel (*EPE6166CSE-TR)
		34 pieces/tube 500 pieces/13" reel (*EPE6166CSE-RCTR)

Unless Otherwise Specified Dimensions are in Inches /mm \pm .010 / .25